



**PERFORMANCE DATA SHEET
NEMA PREMIUM NR CAN NEMA 12 - 12**

Catalogue #: MQP-2

HP	kW	Voltage	S.F. @ 60Hz	EFF.	P.F.	Frame	Design	L.R. Amps
1	0,75	230/460	1,25	85,5%	0,71	143T	B	15

60 Hz								Code	F.L. RPM
208	230	416	460	480	575	600			
/	3	/	1,50	/	/		M	1745	

50 Hz								
FLA			S.F. @ 50Hz	Efficiency	Power Factor	Code	F.L. RPM	
190	380	415						
3,6	1,8		1,00	82,5%	0,770	H	1430	

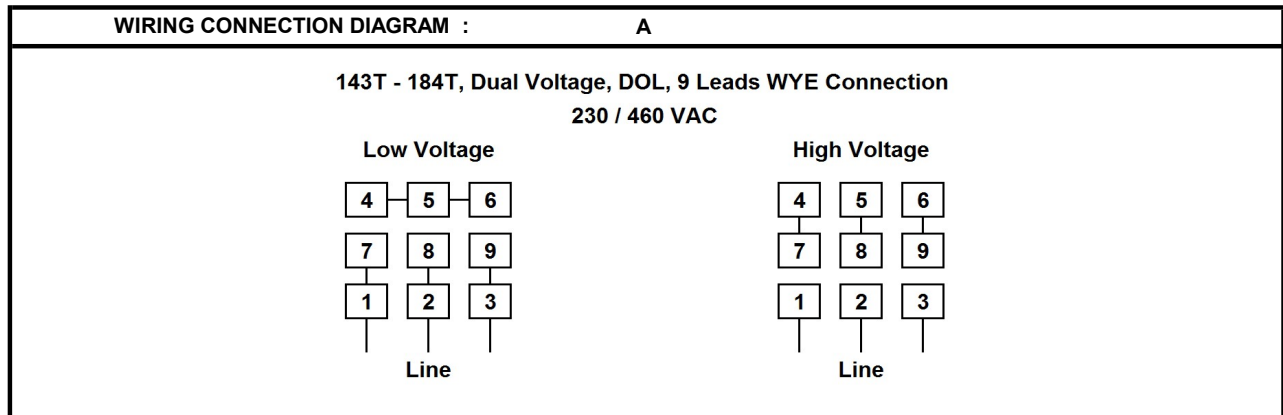
Wgt. Lbs	PH	Duty	Insul. Class	Amb.	Elevation	Temp. Rise° C
47	3	Cont.	F	40°C	1000M (3,300 Ft)	25

% Efficiency		% Power Factor		Torque		Winding Resist. Ω	Safe Cold Start (Secs)
Full Load:	85,5%	Full Load:	0,71	Full Load Ft/Lbs	3,0		
3/4 Load:	85,0%	3/4 Load:	0,62	Locked Rotor %	275		
1/2 Load:	83,6%	1/2 Load:	0,49	Break Down %	310	12	20

Rotor Inertia Wk2 Lb-Ft2	Max Load Inertia Wk2 Lb-Ft2	Shaft Material	Frame Material	DE Bracket Type	ODE Bracket Type	Enclosure	NEMA Rating	Lead Wire Size
0,04	8,5	1045	Cast Iron	Cast Iron	Cast Iron	TEFC	IP55	16AWG

Ball Bearings		Grease	Mount Type	Orientation	Paint	Sound Pressure @ 3FT	Sound Power
DE	ODE						
6205	6205	Sealed Bearings	Rigid	Horizontal	RAL6022	61	70

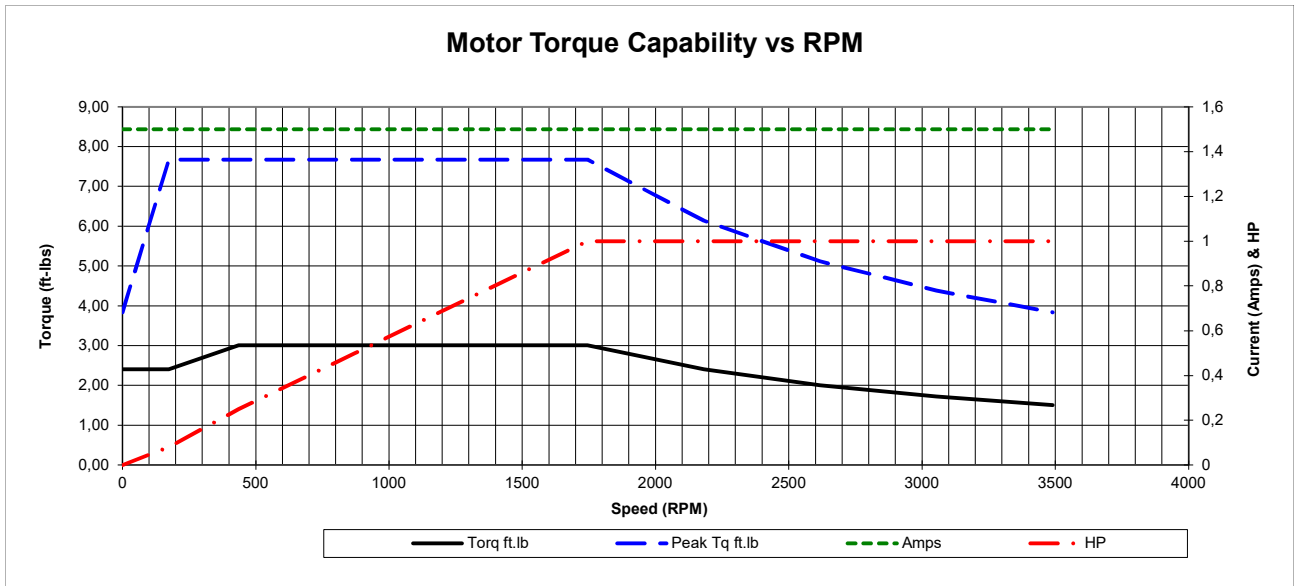
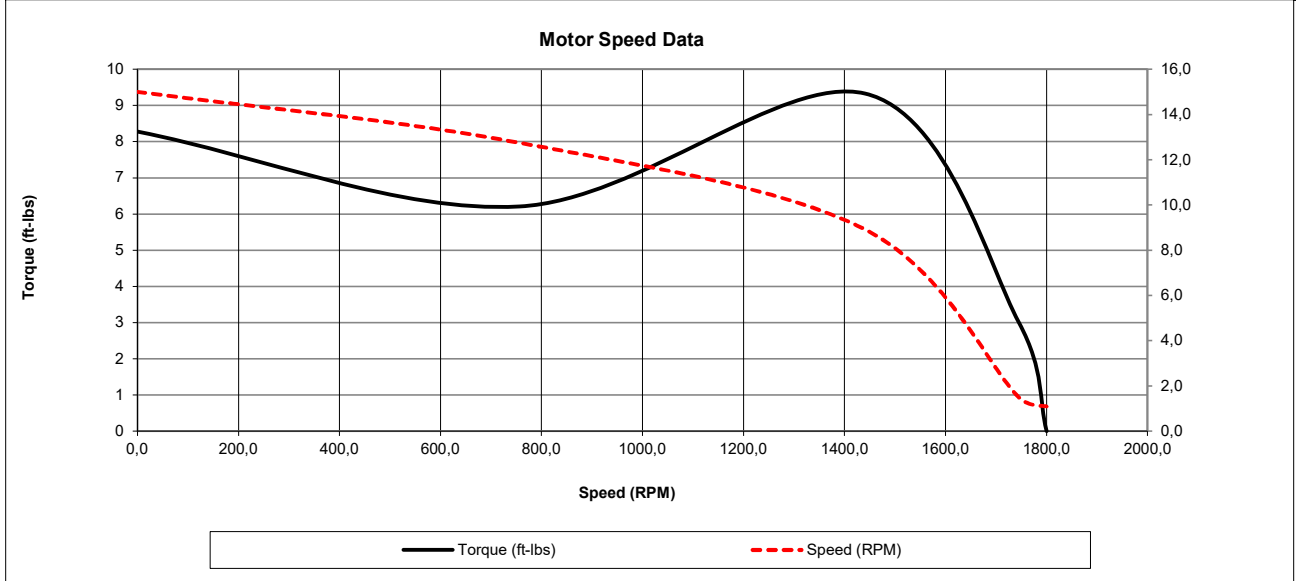
Inverter Duty, Motor meets MG1 parts 31.4.4.2	VFD SF	Constant Torque Range	Variable Torque Range	Constant HP RPM
	1,00	10:1	20:1	2700



Date: 2023-12-13
 Customer: _____
 Contact: _____
 Submittee: J.C. Lavallée

Catalogue #: MQP-2

NEMA PREMIUM NR CAN NEMA 12 - 12										
HP	VAC	RPM	Enclosure	Frame	Frequency	Design	Poles	LR Code Letter	Insulation Class	Temp. Rise °C
1	460	1745	TEFC	143T	60 Hz	B	4	M	F	25
	0Hz	6Hz	15Hz	30Hz	45Hz	60 Hz	75Hz	90Hz	105Hz	120Hz
Amps	1,5	1,5	1,5	1,5	1,5	1,5	1,5	1,5	1,5	1,5
RPM	0	174,5	436,25	872,5	1308,75	1745	2181,25	2617,5	3053,75	3490
Torq ft.lb	2,41	2,41	3,01	3,01	3,01	3,01	2,41	2,01	1,72	1,50
Peak Tq ft.lb	3,84	7,67	7,67	7,67	7,67	7,67	6,14	5,12	4,39	3,84
HP	0	0,1	0,3	0,5	0,8	1,0	1,0	1,0	1,0	1,0
	Locked Rotor	Pull-Up	Breakdown	Rated Load	Idle	Duty	S. F.	Ambient	Elevation	dBA @ 1M
Speed (RPM)	0,0	756	1440	1745	1800	Continuous	1,25	40°C	3,300 ft	61
Current (Amps)	15,0	12,8	8,9	1,5	1,1	VFD Rating: Meets MG1 parts 31.4.4.2				
Torque (ft-lbs)	8,3	6,2	9,3	3,0	0,0	C.T.	10:1	V.T.	20:1	VFD SF 1.00





Date: 2023-12-13
 Customer: _____
 Contact: _____
 Submittee: J.C. Lavallée

Catalogue #: **MQP-2**

NEMA PREMIUM NR CAN NEMA 12 - 12										
HP	VAC	RPM	Enclosure	Frame	Frequency	Design	Poles	LR Code Letter	Insulation Class	Temp. Rise °C
1	460	1745	TEFC	143T	60 Hz	B	4	M	F	25
Load %	0%	25%	50%	75%	100%	125%	150%			
Amps	1,10	1,14	1,24	1,39	1,50	1,88	2,21			
Torq ft/lbs	0	0,74	1,48	2,24	3,01	3,79	4,59			
RPM	0	1786,25	1772,5	1758,75	1745	1731,25	1717,5			
Eff	0	67,77	83,60	85,00	85,50	84,16	83,83			
PF	0	30,3	49	62	71	73,84	75,97			
	Locked Rotor	Pull-Up	Breakdown	Rated Load	Idle	Duty	S. F.	Ambient	Elevation	dBa @ 1M
Speed (RPM)	0	756	1440	1745	1800	Continuous	1,25	40°C	3,300 ft	61
Current (Amps)	15	12,8	8,9	1,5	1,0995	VFD Rating: Meets MG1 parts 31.4.4.2				
Torque (ft-lbs)	8,28	6,21	9,33	3,01	0,0	C.T.	10:1	V.T.	20:1	VFD SF 1.00

